

1080p / 2D-DNR / TDN
2.1M PIXEL HD-SDI IR HOUSING CAMERA

JHD-HU2812IR

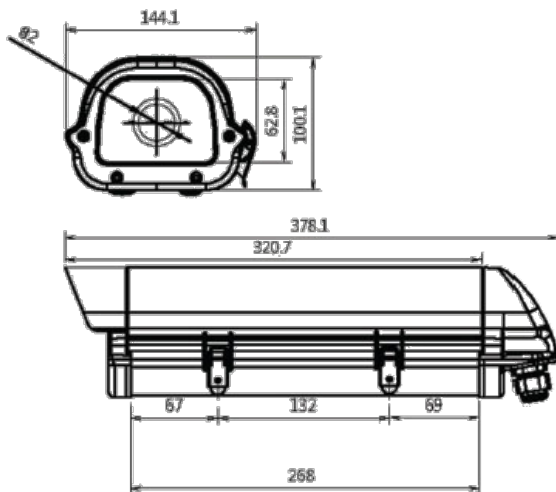
FEATURES

- 1/2.7" 2.1Megapixel Progressive CMOS
- 1080p(1920x1080)@30/25fps
- Min. Illumination Color : 1Lux / BW : 0.5Lux
- True Day & Night
- NTSC/PAL selectable
- 2D Digital Noise Reduction
- Motion Detection, Privacy Masking (2 Zone)
- 84pcs IR LED
- Manual Varifocal Lens 2.8~12.0mm
- OSD Controller

SPECIFICATIONS

JHD-HU2812IR	
Signal Format	NTSC/PAL
Image Sensor	1/2.7" INCH CMOS SENSOR
Effective Pixels	1930(H) x 1088(V) = 2.09M (Pixel)
Scanning System	Progressive Scan
Video Output	HD-SDI
Min. Illumination	Color : 1.0 lux, BW : 0.5lux
S/N Ratio	More than 50dB (AGC off)
Backlight Compensation	ON / OFF
White Balance	AWB
2D	OFF / LOW / MIDDLE / HIGH
Day & Night	AUTO / COLOR / B&W / EXT
Motion Detection	ON / OFF
Privacy Masking	ON / OFF
Motion Detection	ON / OFF
Privacy Masking	ON(2 Point) / OFF
Lens	Manual Varifocal Lens 2.8~12.0mm
Resolution	1920 x1080p(1080p/25,30fps)
SHUTTER	AUTO / MANUAL (1/30(25)~1/6000)
AGC	ON / OFF (1 ~ 5)
MIRROR	OFF / H / V / HV
FRAME RATE	1080P - 25FPS / 30FPS
Video Output	Connector
Power Supply	DC 12V ±10%
Operating Temperature	-10°C ~ +50°C
Dimension	140.9(W) x 100.1(H) x 397(D)mm
Weight	Approx. 1.4Kg (W/ Sunshield & Bracket)

DIMENSION



* In accordance with customers' request and OSD controller's option, the specifications can be fixed or changed without notice.