

HD-CCTV Camera

Rev 1.0



C1080PBL-IR24-F3.6 / C1080PBL-IR24-F6

IR-LED High-Definition Fixed Bullet Camera

제품특징

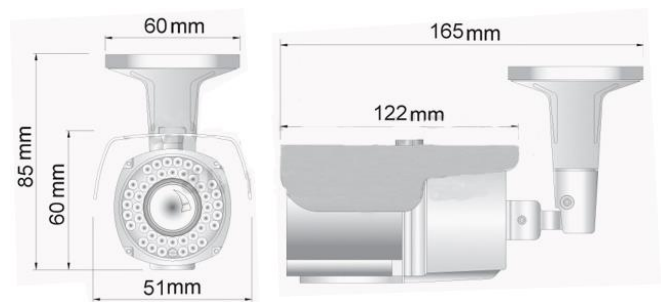
[PoC 카메라 : C1080PBL-IR24-F3.6 / C1080PBL-IR24-F6]

- 동축 케이블을 통한 전원 공급 (PoC)
- 동축 케이블을 통한 OSD 제어, 펌웨어 업그레이드 (CoC)

[공통사양]

- 1/2.7" 2.1M CMOS 프로그레시브 센서 채용
- EX-SDI 트랜스미터 기능 내장
- DC Iris, 3.6mm(6mm) 고성능 3메가픽셀 렌즈 내장
- 수평/수직해상도 1200TV분 이상
- 최고 성능의 저조도
(LED On : 0Lux / LED Off : 0.5Lux)
- 특정영역 감시차단
- True Day&Night (ICR)
- 내장 IR LED 지원 : 24개, 가시거리 : 최대 30m
- IP66의 방진/방수 및 브라켓/하우징 일체형 구조

외관도 (단위 : mm)



주요사양

VIDEO		C1080PBL-IR24-F3.6	C1080PBL-IR24-F6
Camera Models		C1080PBL-IR24-F3.6	C1080PBL-IR24-F6
Sensor Type		1/2.7" 2.1Megapixel CMOS	
Total Pixels		1920(H) x 1080(V) = 2.1M pixels	
Scanning System		Progressive Scan	
Min Illumination		0Lux(LED ON), 0.5Lux(LED OFF)	
Lens	Type	3Mega Pixel / 3.6mm Fixed Lens	3Mega Pixel / 6.0mm Fixed Lens
	Filter	True Day & Night (ICR)	
Video Output	Output	1(BNC 1.0 Vp-p, 75Ω)	
	Resolution	1080p 30/25fps	
	Video Format	Hd-SDI, EX-SDI	
	Distance	Max. 400m(1,200ft) video transmission through 5C-HFIBT cable	
Video Control	Control Method	DVR (Supporting remote control via CoC), CMS(Control Center)	
	AGC	Auto, 1 ~ 5 steps	
	Mirror	Horizontal / Vertical	
	BLC	0~16	
	HLC	Off / On	
	Electric Shutter	Auto, 1/25 ~ 1/10000	
	White Balance	Auto / User / Push / Hold	
	Day&Night	Color / BW / Auto / Ext	
	Privacy Masking	Area 1 / Area 2	
LIGHT			
IR Light Source		24pcs, Distance 30m	
CONTROL INTERFACE			
Control		CoC (Control over Coax)	
ELECTRICITY			
Power Consumption		PoC(DC24V ± 10%), 4W	
MECHANICAL			
Dimension		60(W) x 85(H) x 165(D)mm	
Weight		560g	
ENVIRONMENTS			
Operation Temp. / Humidity		-45 °C ~ 65 °C / 0%RH ~ 80%RH	
CERTIFICATIONS			
Certifications		KC, FCC, CE, RoHS(TBD)	